

BAScontrol20

20-point BACnet/IP Sedona Unitary Controller

The BAScontrol20 is a 20-point unitary controller which supports BACnet/IP and Sedona Framework using an Ethernet connection. The controller complies with the B-ASC device profile having a convenient mix of 8 universal inputs, 4 binary inputs, 4 analog outputs and 4 relay (20R) or triac (20T) outputs. Unique to the unit are 48 web components which link Sedona wire sheet readable/writeable data to web pages, and 24 virtual points which link Sedona wire sheet readable/writeable data to a BACnet client. The device is fully web page-configurable, and freely programmable using Sedona's drag-and-drop programming methodology of assembling components onto a wire sheet to create applications. The unit can be programmed using Niagara Workbench AX or a third-party Sedona programming tool such as Sedona Application Editor (SAE). Rugged design, low profile, and wide temperature operation make it suitable for indoor or outdoor use. To download the free Sedona Application Editor, visit: www.ccontrols.com/sae. For more information about Sedona, SAE, kits, components, and programming download the Sedona Reference Manual at: www.ccontrols.com/sedona or scan QR code from your phone or tablet:



Installation Guide

Electrical (Class 2 Circuits Only)

| INPUT | DC | AC |
|-------------------------|------|----------|
| Voltage ($\pm 10\%$): | 24 V | 24 V |
| Power: | 4 W | 6 VA |
| Frequency: | N/A | 47-63 Hz |

Environmental

| | |
|------------------------|------------------------|
| Operating temperature: | -40°C to +75°C |
| Storage temperature: | -40°C to +85°C |
| Relative humidity: | 10-95%, non-condensing |

Functional

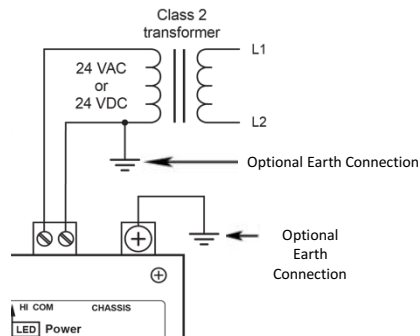
| | |
|---------------------|---|
| Physical Layer: | 10BASE-T 100BASE-TX |
| Cable length limit: | 100 m |
| Ethernet LED: | green = 100 Mbps yellow = 10 Mbps flashing = activity |



Installation

Power

The BASC-20 is intended to be panel-mounted and requires 24 VAC or 24 VDC to its 2-pin removable connector while drawing no more than 6 VA of power. The recommended conductor size is 16-18 AWG. A chassis-ground screw terminal is an optional connection between the controller chassis and ground. This device is intended for use with Class 2 circuits.

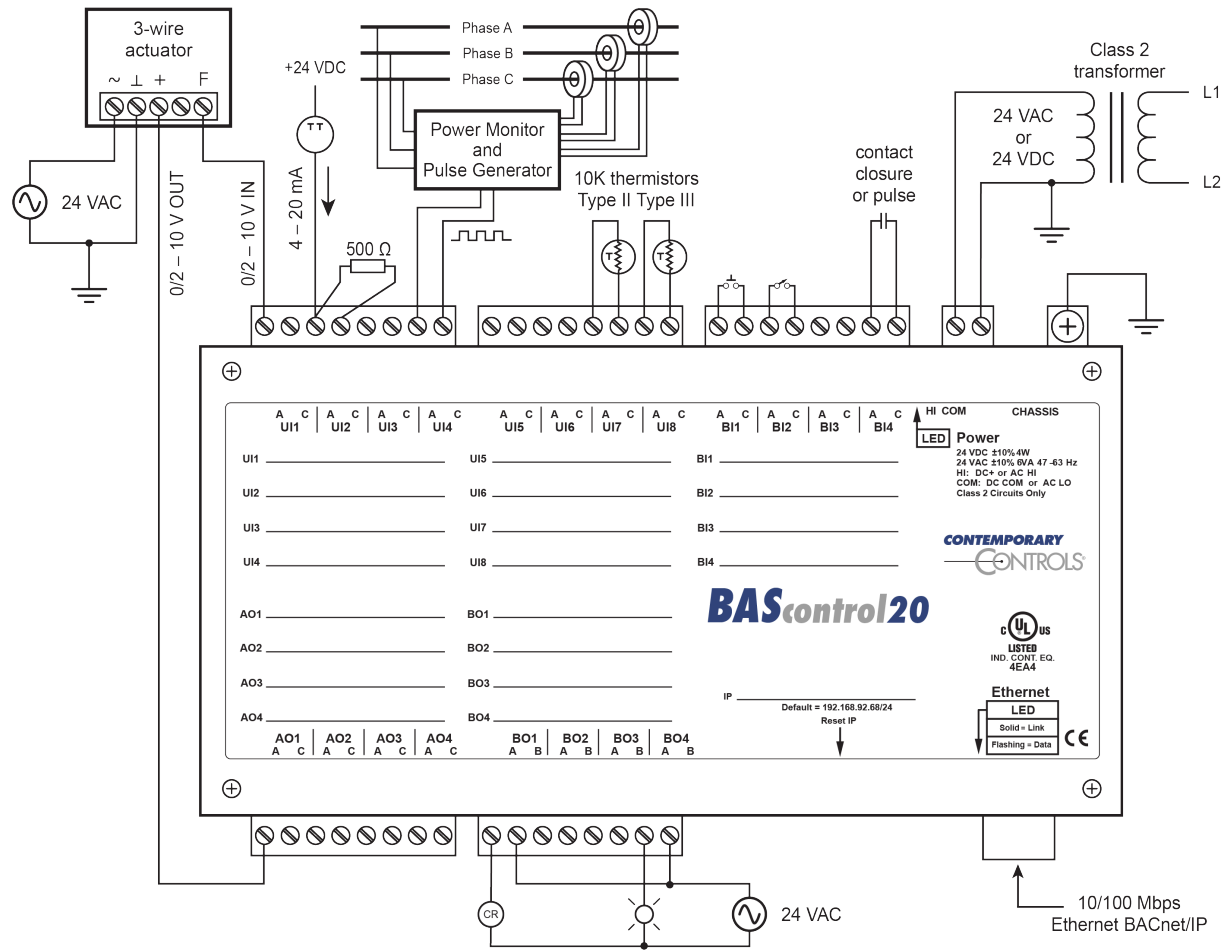


WARNING: Internally, this device utilizes a half-wave rectifier and therefore can only share the same AC power source with other half-wave rectified devices. Sharing a common DC power source is also possible. Sharing AC power with full-wave rectified devices is NOT recommended. Devices powered from a common AC source could be damaged if a mix of half-wave and full-wave rectified devices exists.

System Configuration

The BAScontrol20 is fully webpage configurable. The system configuration page contains IP, BACnet, Authentication, and protocol enable/disable settings. A reboot of the controller is required for System Configuration settings to take effect. The unit can be rebooted from the main web page by clicking the "Restart Controller" button.

Input/Output Connections



Web Page Configuration

The BAScontrol20 contains an interactive web server accessible from any Internet-compatible PC on the local network with recent versions of most standard web browsers such as Microsoft Internet Explorer, Microsoft Edge, Mozilla Firefox, or Google Chrome installed. To configure the controller, connect it to your PC using an Ethernet cable and set the PC's IP and subnet mask in Local Area Connection → Properties. In the Internet Protocol Version 4 (TCP/IPv4) settings of your PC, specify an IP address and a Subnet mask in the same subnet as the BAScontrol20 (e.g. 192.168.92.5 /24).

BAScontrol20 factory-programmed: Default IP address is **192.168.92.68** and a Class C subnet mask of **255.255.255.0 (/24)**
 User Name is: **admin** and Password is: **admin**

Reset IP switch is located on the front, underneath the metal case edge, also indicated on label. Remove power, press and hold the *Reset IP* switch before applying power again. Apply power while holding down the reset IP switch. I/O channels will flash after boot up. Log in to the default IP address and set new IP, User ID, and Password. For complete datasheet and details on BAScontrol20, support, or compliance information, please download our BAScontrol20 User Manual at: <https://www.ccontrols.com/basautomation/bascontrol20.php> and click on the Support tab under More Information.

